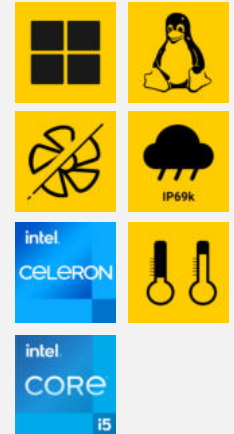


The compact partner for industry



- » Ultra-flat stainless steel housing for highest hygienic requirements.
- » Powerful 11th generation Intel® processors with long-term availability.
- » Fully dust and waterproof design according to protection class IP69k
- » Designed for industrial applications in continuous operation
- » Rugged gesture-capable touchscreen with glove mode
- » Easy to clean, whether using high pressure, hot water or disinfectants
- » Wide operating temperature range
- » Available in screen sizes from 15 to 32 inches
- » All variants also available with up to 1000 nits brightness
- » Up to 32 GB RAM & 1 TB SSD
- » From 18.5": Expandable by second hard drive
- » Ready for use with Windows or Ubuntu Linux 22.04
- » TPM 2.0 integrated - hardware tamper protection
- » Easy installation via universal VESA mounting points
- » Optional with DC power input
- » CO2 emissions from production & logistics fully offset
- » 2 years warranty

The compact partner for industry



#### General housing characteristics

Housing	Corrosion-resistant 1.4401 (AISI 316) V4A stainless steel housing, fully enclosed, fanless, stainless steel M12 connections
Dimensions	<ul style="list-style-type: none"> <li>■ 15": 385 x 310 x 72 mm</li> <li>■ 15,6": 425 x 290 x 72 mm</li> <li>■ 18,5": 508 x 350 72 mm</li> <li>■ 19": 488 x 410 x 72 mm</li> <li>■ 21,5": 585 x 376 x 72 mm</li> <li>■ 24": 623 x 417 x 72 mm</li> <li>■ 27": 690 x 449 x 72 mm</li> <li>■ 32": 820 x 520 x 85 mm</li> </ul>
Meets DIN EN 1672-2 requirements	Yes <sup>2</sup>
Mounting	Universal VESA mounting points
Sealing	IP67 / IP69K all-round
Operating temperature	0° C – +60° C (-20° C – +60° C on request <sup>4</sup> )
Vibration resistance	MIL-STD-810G 514.7
Storage temperature	-20° C – +70° C
Humidity	95%, non-condensing
Input voltage	<ul style="list-style-type: none"> <li>■ 110 - 240 V AC / 50 watts (typical)</li> <li>■ 9 - 36 V DC optional<sup>4</sup></li> </ul>
Weight	5 to 16 kg, depending on configuration
Buttons	Power button, brightness up, brightness down, reset
Status indicators	1 x Power LED, 1 x HDD LED

#### System features

Operating system	Windows 10 Professional, Windows 10 IoT Enterprise, Windows 11 Pro, Ubuntu Linux
Processor options	<ul style="list-style-type: none"> <li>■ Intel® Core i5-1145G7E Quad-Core up to 4.10 GHz</li> <li>■ Intel® Celeron J6412 Quad-Core up to 2.60 GHz</li> </ul>
Graphics processor	<ul style="list-style-type: none"> <li>■ Intel® Iris® Xe Graphics<sup>3</sup></li> <li>■ Intel® UHD Graphics<sup>2</sup></li> </ul>
System memory	64, 128, 256, or 512 M.2 SSD, optional second SATA SSD for 18.5" display size and larger
RAM	8, 16, or 32 GB DDR4 3200

#### Display options

Display	High-quality, high-contrast industrial LED display, viewing angle >85° from all axes, MTBF time >30,000h
Available display sizes	<ul style="list-style-type: none"> <li>■ 15" (1024x768, 450 nits)</li> <li>■ 15,6" (1920x1080, 400 nits)</li> <li>■ 18,5" (1920x1080, 350 nits)</li> <li>■ 19" (1280x1024, 350 nits)</li> <li>■ 21,5" (1920x1080, 300 nits)</li> <li>■ 24" (1920x1080, 300 nits)</li> <li>■ 27" (1920x1080, 350 nits)</li> <li>■ 32" (1920x1080, 500 nits)<sup>4</sup></li> </ul>
Touchscreen	Rugged, PCAP multi-touchscreen with 10 touch points, glove-operable, surface hardness >=7H
Option for brighter display	1000 nits, available for all models
Optional Clarity Display	Enhanced image display and maximum ruggedness via optical bonding, available for all models

#### Connection options<sup>4</sup>

Standard connections	1 x Power In, 1 x RS232, 2 x USB 2.0, 1 x RJ45
Maximum number of ports	6
RS232	Up to 4 x RS232 COM1, COM2 <sup>3</sup> supported RS232/422/485
USB	<ul style="list-style-type: none"> <li>■ Up to 4 x USB 3.2 Gen2<sup>3</sup></li> <li>■ Up to 4 x USB 3.1 Gen2<sup>2</sup></li> <li>■ Up to 4 x USB 2.0</li> </ul>
RJ45	<ul style="list-style-type: none"> <li>■ Up to 2 x RJ45 (1 Gbit, 2.5 Gbit)<sup>2</sup></li> <li>■ Up to 2 x RJ45 (2 x 2.5 Gbit)<sup>3</sup></li> </ul>
WLAN	Up to 2 x connection for external WLAN antenna
Monitor output (maximum resolution: 4096x2160@60Hz)	<ul style="list-style-type: none"> <li>■ Up to 2 x HDMI 2.0b</li> <li>■ Up to 2 x DisplayPort 1.4<sup>2</sup></li> </ul>

<sup>2</sup> = Celeron version only <sup>3</sup> = Intel Core i5 version only <sup>4</sup> = Not all options are available without minimum purchase quantities



The compact partner for industry



#### Communication

WLAN	Wi-Fi6 Intel AX200 (optional)
Serial interface	1 x RS232/422/485 (optional 2x <sup>2</sup> or 4x <sup>3</sup> )
Ethernet	1 x Intel 2.5 Gigabit (optional 2 x)
USB	2 x USB 2.0 (optional up to 4 x USB 3.0)

#### Further specifications

Innovative Features	Gaussian and Neural Accelerator 1.0 <sup>2</sup> /2.0 <sup>3</sup> , Image Processing Unit <sup>3</sup> , Smart Sound Technology <sup>3</sup> , High Definition Audio, MIPI SoundWire 1.1 <sup>3</sup> , DL Boost <sup>3</sup> , Speed Shift Technology, Turbo Boost 2.0 <sup>3</sup> , Hyper-Threading Technology <sup>3</sup> , 64-bit, SSE4.1 <sup>3</sup> , SSE4.2 <sup>3</sup> , AVX2 <sup>3</sup> , AVX-512 <sup>2,3</sup> , Hibernation, Thermal Monitoring <sup>3</sup> , Volume Management Device <sup>3</sup>
Security Features	TPM 2.0, Secure Boot <sup>2</sup> , vPro <sup>3</sup> , AES, Trusted Execution Technik <sup>3</sup> , OS Guard, Boot Guard, Mode-based Execute Control <sup>3</sup> , Control-Flow Enforcement <sup>3</sup> , Total Memory Encryption <sup>3</sup> , VT-x, VT-d, VT-X with EPT <sup>3</sup> , Secure Key <sup>2</sup> , Execute Disable Bit <sup>2</sup>

#### Optional features<sup>4</sup>

NFC	ISO/IEC 14443A/B, ISO/IEC 15693, FeliCa, ISO/IEC 18092, NFC Forum, EMVCo & PBOC, ISO/IEC 18000, ISO/IEC 29143, Rain Alliance
Industrial Communication	CANopen, CC-Link, DeviceNet, EtherCAT, Modbus, PROFIBUS, PROFINET, Real-Time Ethernet, Sercos, VARAN
Boot on Power	Turns on the computer as soon as it receives power
Alternative touch screen	Pressure sensitive single touch touchscreen (5W resistive touchscreen), not available for all display sizes (max. 24 Zoll)
Extreme temperature range	-30° C to +70° C, not available for all display sizes

#### Miscellaneous

Included accessories	Suitable connection cables
Optional accessories	See accessories catalog
Warranty	2 year warranty, extended warranty available

#### Warranty Plus

We offer a 24-month warranty on our physical products. With Warranty Plus, your product is protected all around. It is your fully comprehensive cover, which also protects it against material damage due to normal use, wear and tear and accidents. Even theft and fire damage are covered by our warranty. In case of loss or total loss of the device, a complete exchange is possible.

#### Climate neutral product

This product is climate neutral. The production and logistics of the Rocktab RSC1000 series generates between **121 and 538 kg** of CO2e emissions. These unavoidable emissions are fully and generously offset through Gold Standard projects. For more information about our efforts to protect the environment, please visit <https://www.werocktools.com/company/environmental-protection/>.

<sup>2</sup> = Celeron version only <sup>3</sup> = Intel Core i5 version only <sup>4</sup> = Not all options are available without minimum purchase quantities

The compact partner for industry

**Order numbers Standard configurations Rocksmart RSC1015**

Article Number	Description
RSC1015-0TN001P	Rocksmart RSC1015, 16GB RAM, 512GB SSD, i5-1145G7E, W11Pro
RSC1015-0GN001P	Rocksmart RSC1015, 16GB RAM, 512GB SSD, J6412, W11Pro
RSC1015-5GN001P	Rocksmart RSC1015, 4GB RAM, 128 GB SSD, J6412, W11Pro
RSC1015-6TN001P	Rocksmart RSC1015, 8GB RAM, 128GB SSD, i5-1145G7E, W11Pro
RSC1015-6GN001P	Rocksmart RSC1015, 8GB RAM, 128GB SSD, J6412, W11Pro
RSC1015-8TN001P	Rocksmart RSC1015, 8GB RAM, 256GB SSD, i5-1145G7E, W11Pro
RSC1015-8GN001P	Rocksmart RSC1015, 8GB RAM, 256GB SSD, J6412, W11Pro

**Order numbers Standard configurations Rocksmart RSC1016**

RSC1016-0TN001P	Rocksmart RSC1016, 16GB RAM, 512GB SSD, i5-1145G7E, W11Pro
RSC1016-0GN001P	Rocksmart RSC1016, 16GB RAM, 512GB SSD, J6412, W11Pro
RSC1016-5GN001P	Rocksmart RSC1016, 4GB RAM, 128 GB SSD, J6412, W11Pro
RSC1016-6TN001P	Rocksmart RSC1016, 8GB RAM, 128GB SSD, i5-1145G7E, W11Pro
RSC1016-6GN001P	Rocksmart RSC1016, 8GB RAM, 128GB SSD, J6412, W11Pro
RSC1016-8TN001P	Rocksmart RSC1016, 8GB RAM, 256GB SSD, i5-1145G7E, W11Pro
RSC1016-8GN001P	Rocksmart RSC1016, 8GB RAM, 256GB SSD, J6412, W11Pro

**Order numbers Standard configurations Rocksmart RSC1018**

RSC1018-0TN001P	Rocksmart RSC1018, 16GB RAM, 512GB SSD, i5-1145G7E, W11Pro
RSC1018-0GN001P	Rocksmart RSC1018, 16GB RAM, 512GB SSD, J6412, W11Pro
RSC1018-5GN001P	Rocksmart RSC1018, 4GB RAM, 128 GB SSD, J6412, W11Pro
RSC1018-6TN001P	Rocksmart RSC1018, 8GB RAM, 128GB SSD, i5-1145G7E, W11Pro
RSC1018-6GN001P	Rocksmart RSC1018, 8GB RAM, 128GB SSD, J6412, W11Pro
RSC1018-8TN001P	Rocksmart RSC1018, 8GB RAM, 256GB SSD, i5-1145G7E, W11Pro
RSC1018-8GN001P	Rocksmart RSC1018, 8GB RAM, 256GB SSD, J6412, W11Pro

**Order numbers Standard configurations Rocksmart RSC1019**

RSC1019-0TN001P	Rocksmart RSC1019, 16GB RAM, 512GB SSD, i5-1145G7E, W11Pro
RSC1019-0GN001P	Rocksmart RSC1019, 16GB RAM, 512GB SSD, J6412, W11Pro
RSC1019-5GN001P	Rocksmart RSC1019, 4GB RAM, 128 GB SSD, J6412, W11Pro
RSC1019-6TN001P	Rocksmart RSC1019, 8GB RAM, 128GB SSD, i5-1145G7E, W11Pro
RSC1019-6GN001P	Rocksmart RSC1019, 8GB RAM, 128GB SSD, J6412, W11Pro
RSC1019-8TN001P	Rocksmart RSC1019, 8GB RAM, 256GB SSD, i5-1145G7E, W11Pro
RSC1019-8GN001P	Rocksmart RSC1019, 8GB RAM, 256GB SSD, J6412, W11Pro

**Order numbers Standard configurations Rocksmart RSC1022**

Article Number	Description
RSC1022-0TN001P	Rocksmart RSC1022, 16GB RAM, 512GB SSD, i5-1145G7E, W11Pro
RSC1022-0GN001P	Rocksmart RSC1022, 16GB RAM, 512GB SSD, J6412, W11Pro
RSC1022-5GN001P	Rocksmart RSC1022, 4GB RAM, 128 GB SSD, J6412, W11Pro
RSC1022-6TN001P	Rocksmart RSC1022, 8GB RAM, 128GB SSD, i5-1145G7E, W11Pro
RSC1022-6GN001P	Rocksmart RSC1022, 8GB RAM, 128GB SSD, J6412, W11Pro
RSC1022-8TN001P	Rocksmart RSC1022, 8GB RAM, 256GB SSD, i5-1145G7E, W11Pro
RSC1022-8GN001P	Rocksmart RSC1022, 8GB RAM, 256GB SSD, J6412, W11Pro

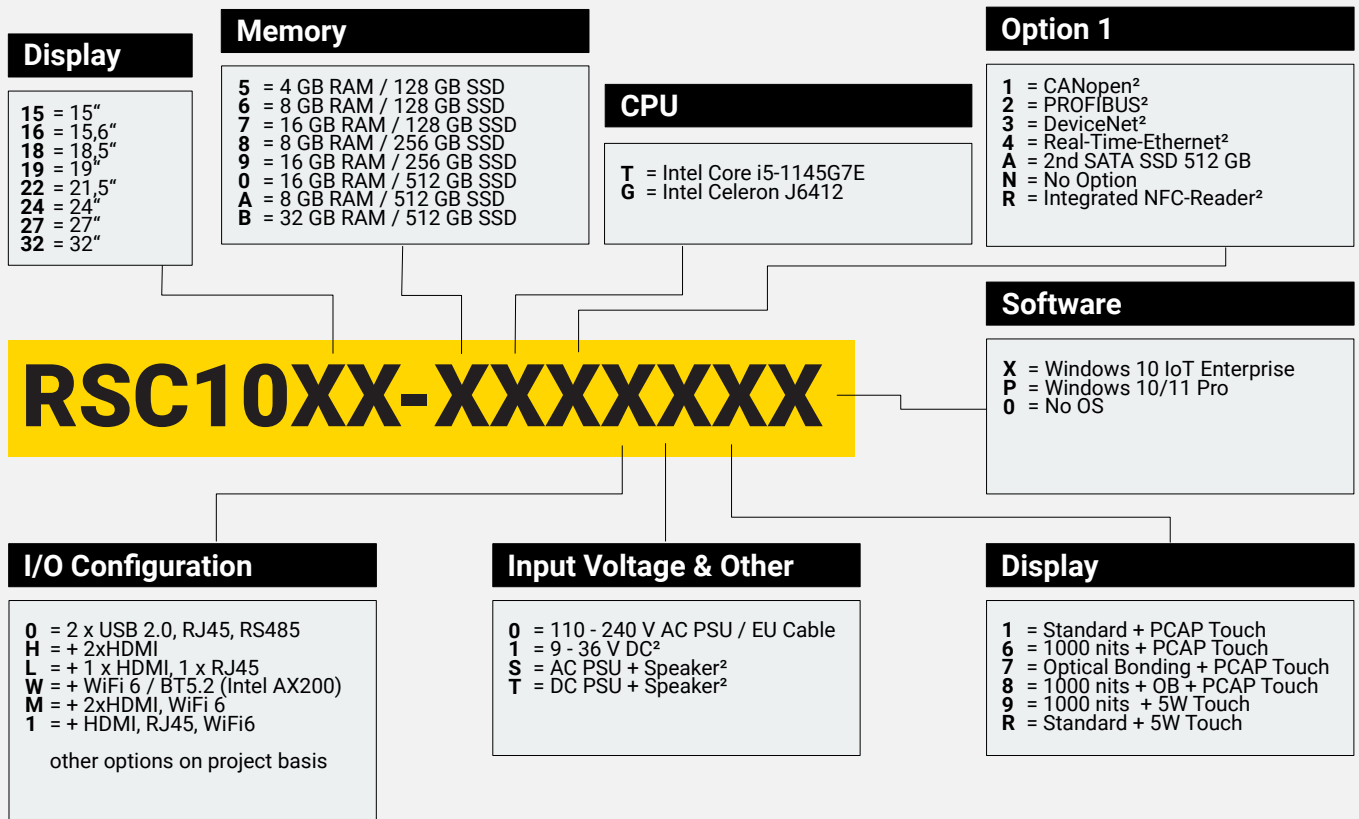
**Order numbers Standard configurations Rocksmart RSC1024**

RSC1024-0TN001P	Rocksmart RSC1024, 16GB RAM, 512GB SSD, i5-1145G7E, W11Pro
RSC1024-0GN001P	Rocksmart RSC1024, 16GB RAM, 512GB SSD, J6412, W11Pro
RSC1024-5GN001P	Rocksmart RSC1024, 4GB RAM, 128 GB SSD, J6412, W11Pro
RSC1024-6TN001P	Rocksmart RSC1024, 8GB RAM, 128GB SSD, i5-1145G7E, W11Pro
RSC1024-6GN001P	Rocksmart RSC1024, 8GB RAM, 128GB SSD, J6412, W11Pro
RSC1024-8TN001P	Rocksmart RSC1024, 8GB RAM, 256GB SSD, i5-1145G7E, W11Pro
RSC1024-8GN001P	Rocksmart RSC1024, 8GB RAM, 256GB SSD, J6412, W11Pro

**Order numbers Standard configurations Rocksmart RSC1027**

RSC1027-0TN001P	Rocksmart RSC1027, 16GB RAM, 512GB SSD, i5-1145G7E, W11Pro
RSC1027-0GN001P	Rocksmart RSC1027, 16GB RAM, 512GB SSD, J6412, W11Pro
RSC1027-5GN001P	Rocksmart RSC1027, 4GB RAM, 128 GB SSD, J6412, W11Pro
RSC1027-6TN001P	Rocksmart RSC1027, 8GB RAM, 128GB SSD, i5-1145G7E, W11Pro
RSC1027-6GN001P	Rocksmart RSC1027, 8GB RAM, 128GB SSD, J6412, W11Pro
RSC1027-8TN001P	Rocksmart RSC1027, 8GB RAM, 256GB SSD, i5-1145G7E, W11Pro
RSC1027-8GN001P	Rocksmart RSC1027, 8GB RAM, 256GB SSD, J6412, W11Pro

The compact partner for industry



\* = Standard; <sup>2</sup> = need MOQ