

Smart solution for digital transformation



- » Industrial Panel PC for production, HMI or kiosk applications
- » Available in 4 sizes: 10.1", 12.1", 15.6" and 21.5"
- » High-quality, durable displays with gesture-enabled touchscreens
- » Fanless, rugged aluminum housing with IP65 dust and waterproof front panel
- » High shock and vibration resistance according to MIL-STD-810G
- » Perfect HMI integration thanks to slim design with narrow frame
- » Designed for industrial applications in continuous operation
- » Modern Intel® Elkhart Lake Celeron 4-core processor with 10nm lithography
- » Up to 32 GB RAM & 1 TB SSD
- » 3 x USB 3.1 Gen 2, 2 x 2.5 Gbit Ethernet, 1 x RS232/422/485
- » Optional input voltage range 9 - 36 V
- » Wide operating temperature range
- » Ready to use with Windows 10, Windows 11 or Ubuntu Linux 22.04
- » TPM 2.0 integrated - hardware tamper protection
- » Easy installation via universal VESA mounting points or for flush mounting
- » Extensive configuration options e.g.: resistive touchscreen for thick work gloves, WiFi 6E, PoE built-in speaker, additional ports
- » CO2 emissions from production & logistics fully offset
- » 2 years warranty

Smart solution for digital transformation

General case features

Case	Rugged aluminum case, yellow bezel, black back, yellow cooling fins, fanless
Dimensions	<ul style="list-style-type: none"> ■ 10,1": 259.94 x 177.94 x 46 mm ■ 12,1": 310.50 x 248.5 x 46 mm ■ 15,6": 391 x 241,15 x 46 mm ■ 21.5": 542,61 x 334,1 x 47 mm
Cut Out Dimensions	<ul style="list-style-type: none"> ■ 10,1": 246 x 166.5 mm ■ 12,1": 297 x 236.5 mm ■ 15,6": 230,11 x 379,90 mm ■ 21.5": 532 x 322 mm
Mounting	Universal VESA mounting points, flush mount
Sealing	IP65 front
Operating temperature	0° C – +60° C
Storage temperature	-20° C – +70° C
Vibration resistance	Random vibration test 5-500Hz, according to IEC 60068-2-64
Humidity	90%, non-condensing
Shock resistance	Withstands peak acceleration of 10 G (11 ms duration) during operation / complies with IEC 60068-2-27
Input voltage	<ul style="list-style-type: none"> ■ 12 V DC (Standard) ■ 9 - 36 V DC
Weight	Depending on configuration
Buttons	Power button, reset, Brightness Control
Status indicators	1 x Power LED, 1 x HDD LED

System features

Operating system	Windows 10 Pro, Windows 10 IoT Enterprise, Windows 11 Pro (Standard), Ubuntu Linux
Processor options	<ul style="list-style-type: none"> ■ Intel® Celeron J6412 4-core up to 2.60 GHz
Graphics processor	<ul style="list-style-type: none"> ■ Intel® UHD Graphics
Storage	128 GB to 2 TB M.2 SSD
Memory	<ul style="list-style-type: none"> ■ 4 to 32 GB DDR4 3200 MHz


Display options

Display	High-quality, high-contrast industrial LED display, viewing angle >89° from all axes, MTBF time >30,000h
Available display sizes	<ul style="list-style-type: none"> ■ 10.1": 1200 x 800, 400 nits ■ 12.1": 1024 x 768, 600 nits ■ 15.6": 1920 x 1080, 400 nits ■ 21.5": 1920 x 1080, 300 nits
Touchscreen	<ul style="list-style-type: none"> ■ Rugged, PCAP multi-touch screen with 10 touch points, glove operable, surface hardness >=7H ■ Rugged, pressure sensitive singletouch touchscreen (5W resistive touchscreen) - not available for 10.1" display size
Option for brighter display	1000/1200 nits, available for all models
Optional Clarity Display	Enhanced image display and maximum ruggedness via optical bonding, available for all models

Connectors

Power input	3-pin connector, screwable
RS232	1 x RS232/422/485
USB	<ul style="list-style-type: none"> ■ 3 x USB 3.1 Gen2, 3 x USB 2.0
RJ45	<ul style="list-style-type: none"> ■ 2 x RJ45 (2 x 2,5 GBit)
Monitor output (maximum resolution: 4096x2160@60Hz)	<ul style="list-style-type: none"> ■ 1 x HDMI 2.0b ■ 2 x HDMI 2.0b (optional)
Audio (optional)	<ul style="list-style-type: none"> ■ 3.5 mm jack headset connector

Further specifications

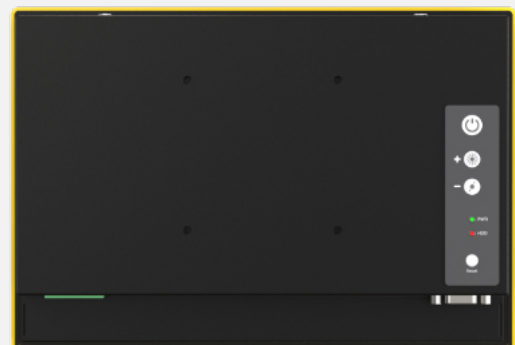
Innovative functions	Gaussian and neural accelerator 1.0, hibernation, Secure Boot, Speed Shift Technology
Security Features	AES New Instructions, Boot Guard, Directed-I/O Virtualization Technology (VT-d), OS Guard, TPM 2.0, Virtualization Technology (VT-x)

Optional features⁴

WLAN / Bluetooth	Intel AX210 Tri-Band WiFi6E WLAN with Bluetooth 5.3
Boot on Power	Turns on the computer as soon as it receives a power supply
Internal speaker	1 x Internal speaker
PoE	power supply via Ethernet

Miscellaneous

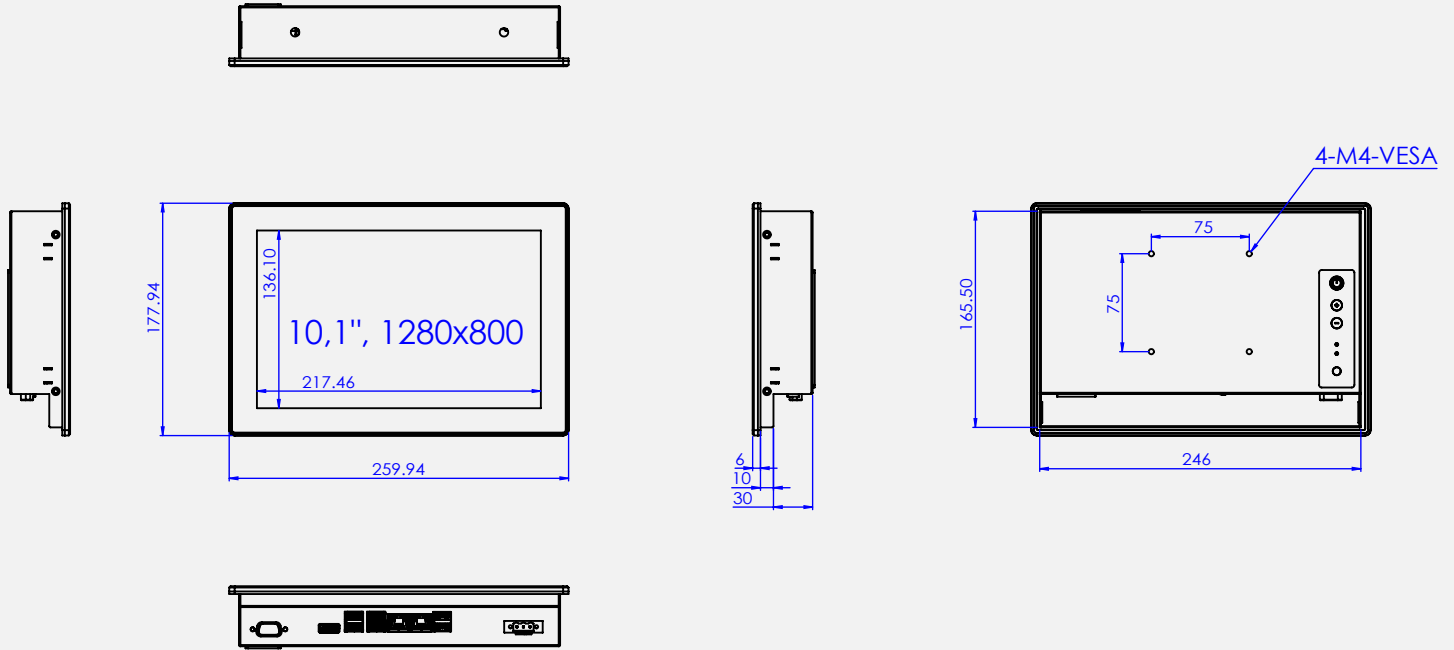
Included accessories	External power supply, mounting kit
Optional accessories	See accessories catalog
Warranty	2 years warranty, extended warranty available



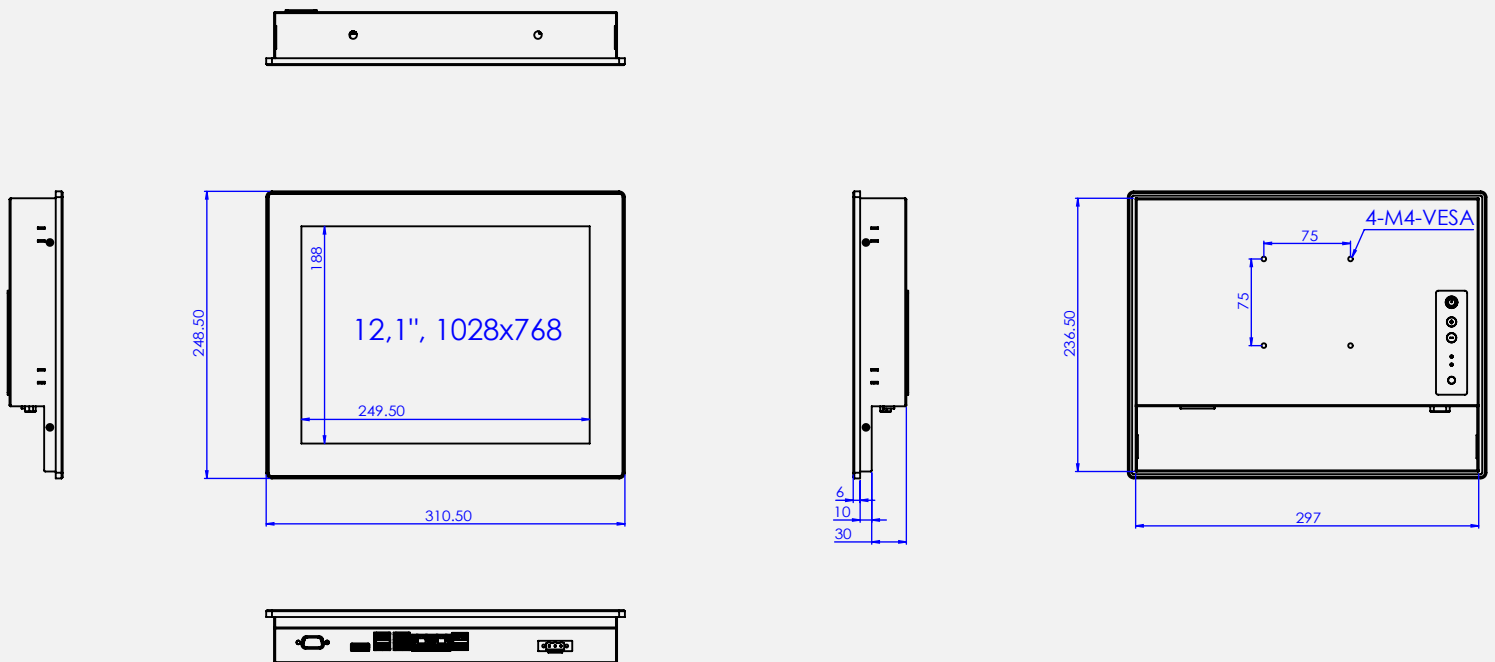
* = Optional ² = only Celeron Version, ³ = only Intel Core i5 Version, ⁴ = Not all options are possible without minimum order quantity

Smart solution for digital transformation

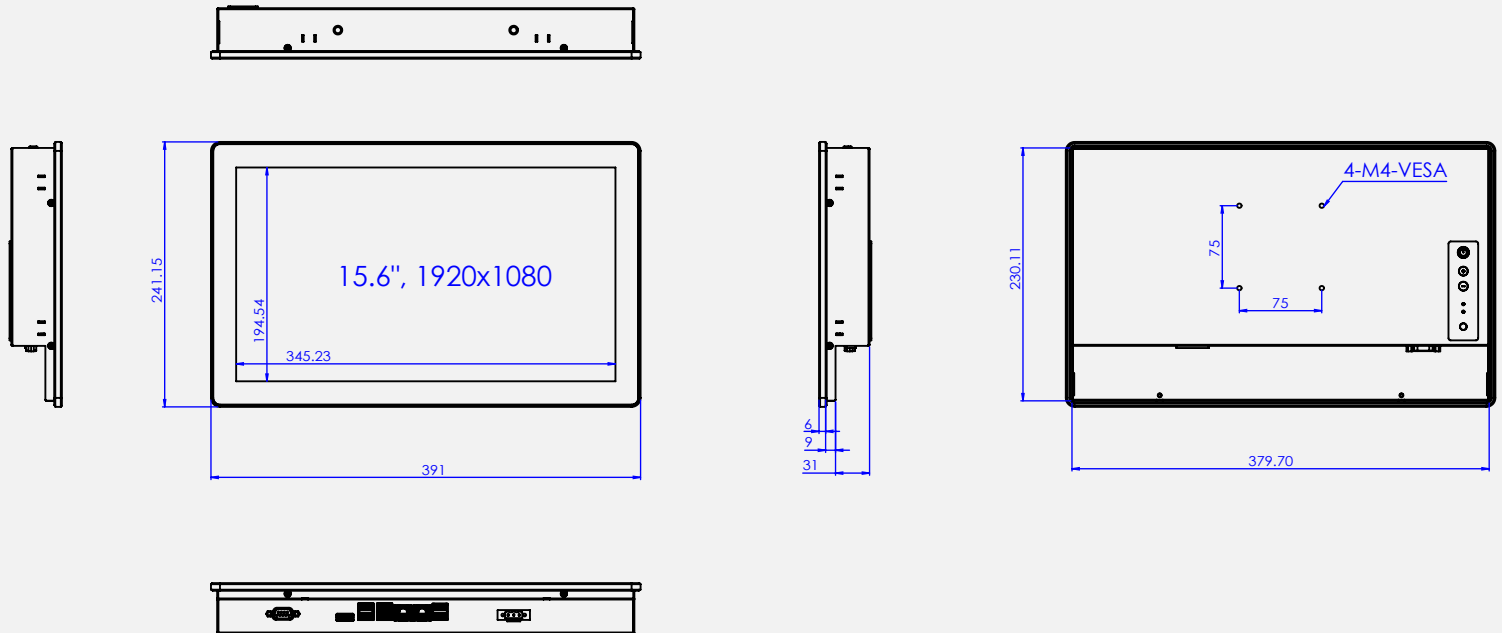
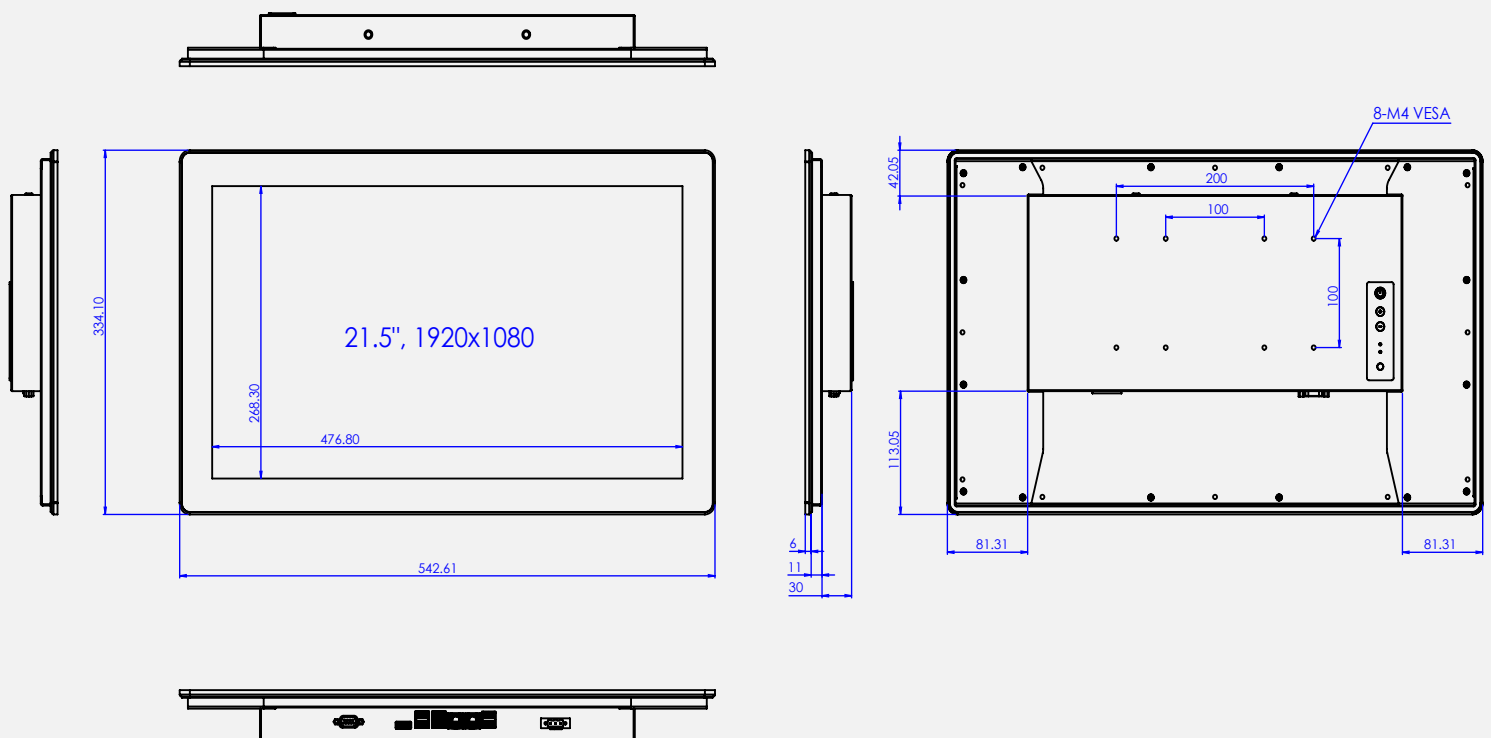
Drawing Rocksmart RSC610



Drawing Rocksmart RSC612



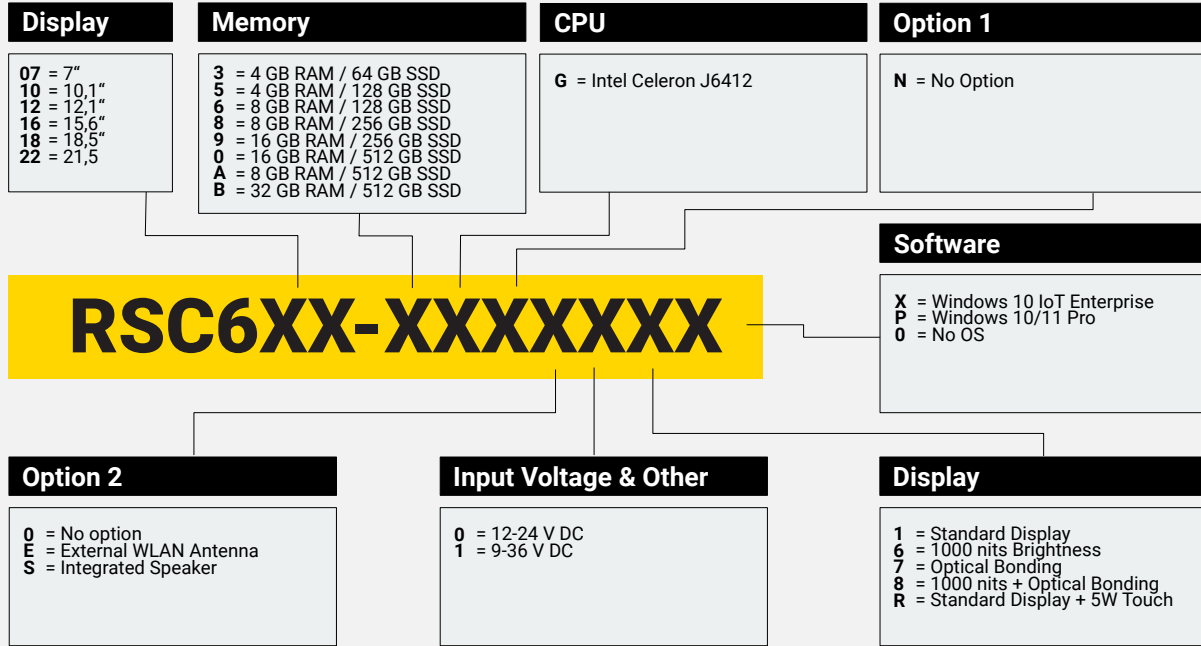
Smart solution for digital transformation

Drawing Rocksmart RSC616

Drawing Rocksmart RSC622


Smart solution for digital transformation



Rocksmart RSC600 SKU-Finder



WEROCK Technologies GmbH
Haid-und-Neu-Straße 7
76131 Karlsruhe
Deutschland

www.werocktools.com

Warranty Plus

Wir bieten Ihnen auf unsere physischen Produkte eine Gewährleistung von 24 Monaten. Mit Warranty Plus ist Ihr Produkt rundum geschützt. Es ist Ihr Vollkaskoschutz, der sie zusätzlich auch vor Materialbeschädigungen durch normale Benutzung, Verschleiß und Unfälle absichert. Selbst Diebstahl und Feuerschäden sind von unserer Gewährleistung abgedeckt. Bei Verlust oder Totalschaden des Geräts ist ein Kompletttausch möglich.



Klimaneutrales Produkt

Dieses Produkt ist klimaneutral. Die Produktion und Logistik der Rocktab RSC600-Serie verursacht zwischen **67 und 121 kg** an CO₂e-Emissionen. Diese nicht vermeidbaren Emissionen werden durch Gold-Standard-Projekte vollständig und großzügig ausgeglichen. Weitere Informationen über unsere Bemühungen zum Umweltschutz finden Sie unter <https://www.werocktools.com/de/unternehmen/umweltschutz/>



* = Optional ² = nur Celeron Version, ³ = nur Intel Core i5 Version, ⁴ = Nicht alle Optionen sind ohne Mindestabnahmemengen möglich